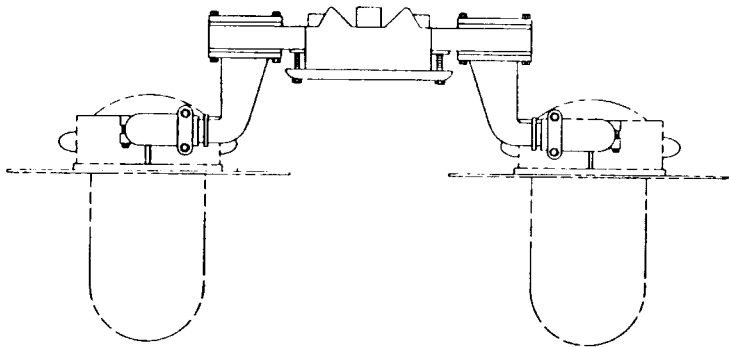


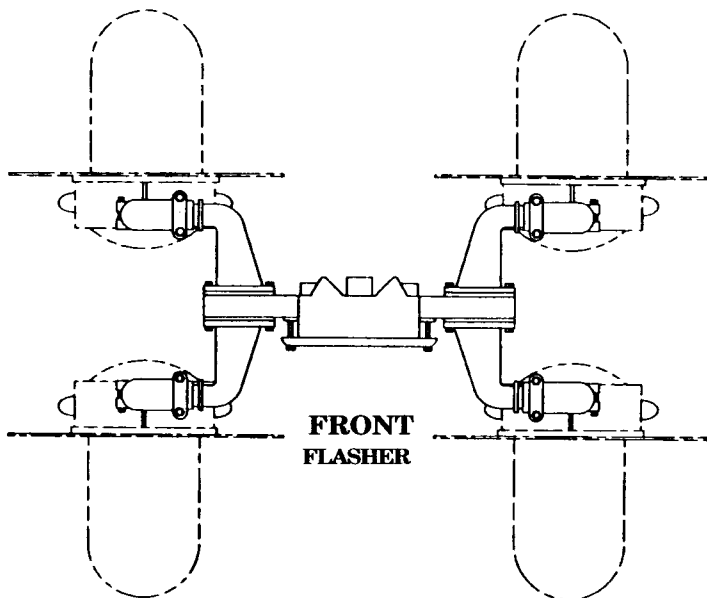
## Crossarm Assemblies for use with Flashing Light Signals, Cantilevers and Model 10 Gate Signals



Mounting Specification		
Ref.	Mtg.	Use
1	4"	1 W Std. Flasher or Rot. Cant. Arm
1	5"	1 W Gate, Extra 90° Right
2	8"	1 W Rot. Cant., Extra 90° Left
2	10"	1 W W.O. Cant., Extra 90° Left
2	12"	1 W W.O. Cant., Extra 90° Left
2	Bkt.	1 W W.O. Cant., Extra 90° Left

**Ref. 1.** 12" Light Assy.    975-412  
           8-3/8" Light Assy. 970-412  
           Arm Only            960-83

**Ref. 2.** 12" Light Assy.    975-414  
           8-3/8" Light Assy. 970-414  
           Arm Only            960-81-X



Mounting Specification	
Mtg.	Use
4"	2W Standard Flasher
5"	2W Gate, Extra
8"	2W Rot. Cantilever, Extra

12" Light Assy.    975-418  
 8-3/8" Light Assy. 970-418  
 Arm Only        960-88

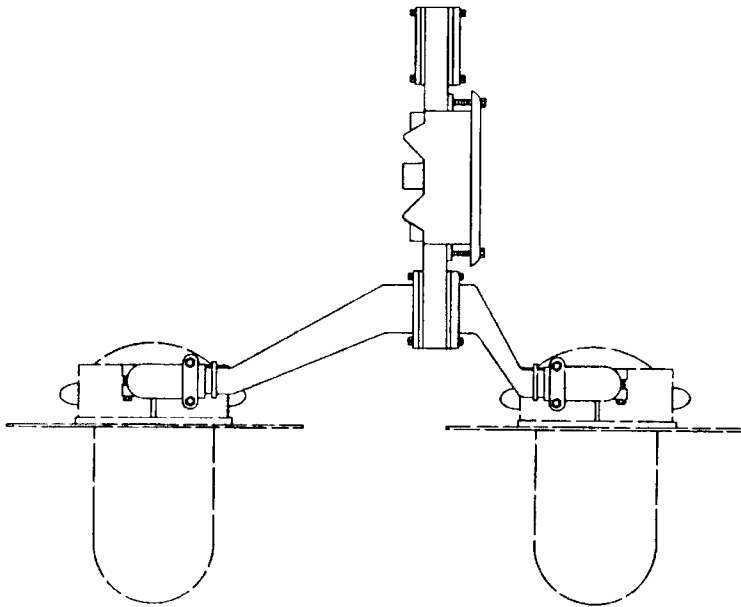
**All crossarms, brackets and elbows are made of cast aluminum.**

**WESTERN-CULLEN-HAYES, INC.**

2700 W. 36TH PLACE  
(773) 254-9600

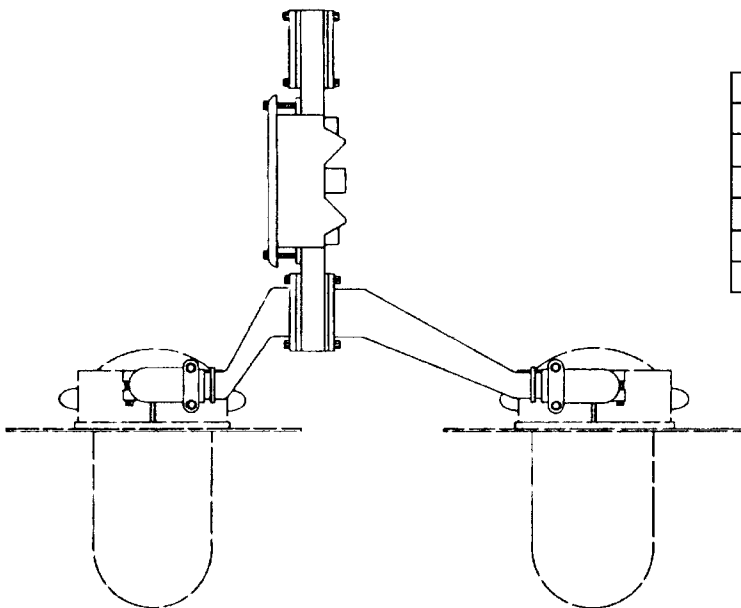
CHICAGO, IL. 60632  
FAX (773) 254-1110

## Crossarm Assemblies for use with Flashing Light Signals, Cantilevers and Model 10 Gate Signals



Mounting Specification	
Mtg.	Use
5"	1W Gate, Front

12" Light Assy.     975-304-X  
 8-3/8" Light Assy. 970-304-X  
 Arm Only            960-28



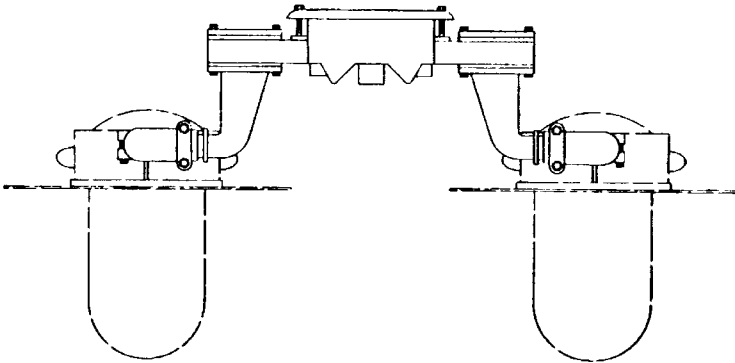
Mounting Specification	
Mtg.	Use
5"	1W Gate, Back
8"	1W Rot. Cantilever Mast Front
10"	1W W.O. Cantilever Mast Front
12"	1W W.O. Cantilever Mast Front
Bkt.	1W W.O. Cantilever Mast Front

12" Light Assy.     975-304-XA  
 8-3/8" Light Assy. 970-304-XA  
 Arm Only            960-27

**WESTERN-CULLEN-HAYES, INC.**

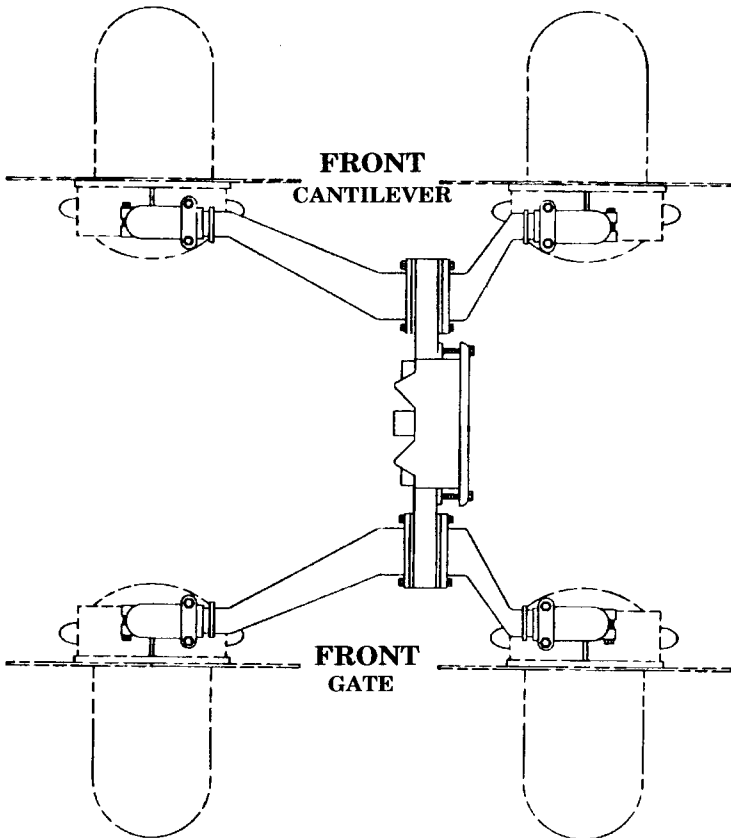
2700 W. 36TH PLACE     CHICAGO, IL. 60632  
 (773) 254-9600            FAX (773) 254-1110

## Crossarm Assemblies for use with Flashing Light Signals, Cantilevers and Model 10 Gate Signals



Mounting Specification	
Mtg.	Use
4"	1W W.O. Cantilever Arm

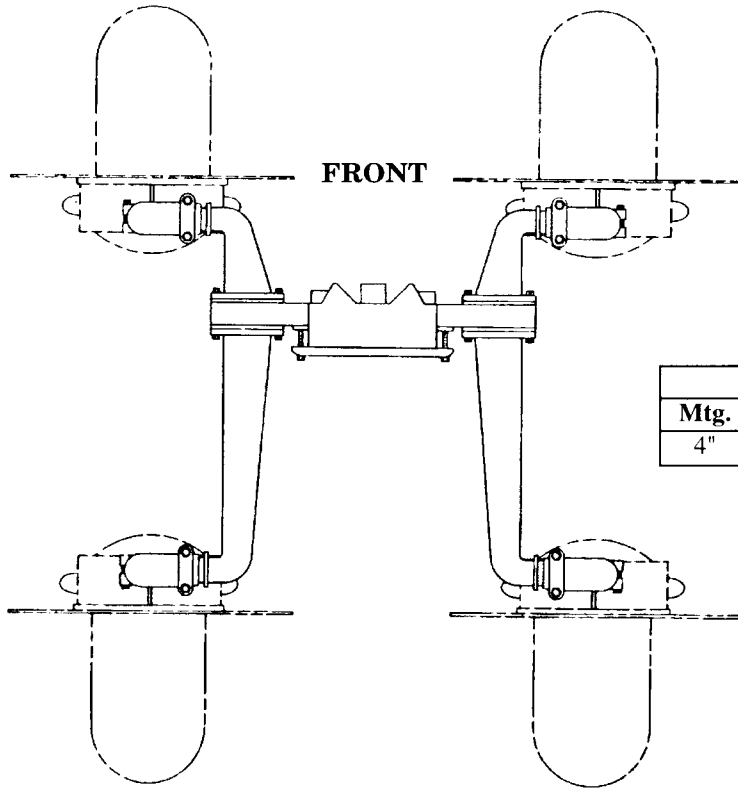
12" Light Assy.    975-415  
 8-3/8" Light Assy. 970-415  
 Arm Only        960-81



Mounting Specification	
Mtg.	Use
5"	2W Gate, Main Lights
8"	2W Rot. Cantilever Mast
10"	2W W.O. Cantilever Mast
12"	2W W.O. Cantilever Mast
Bkt.	2W W.O. Cantilever Mast

12" Light Assy.    975-304  
 8-3/8" Light Assy. 970-304  
 Arm Only        960-58

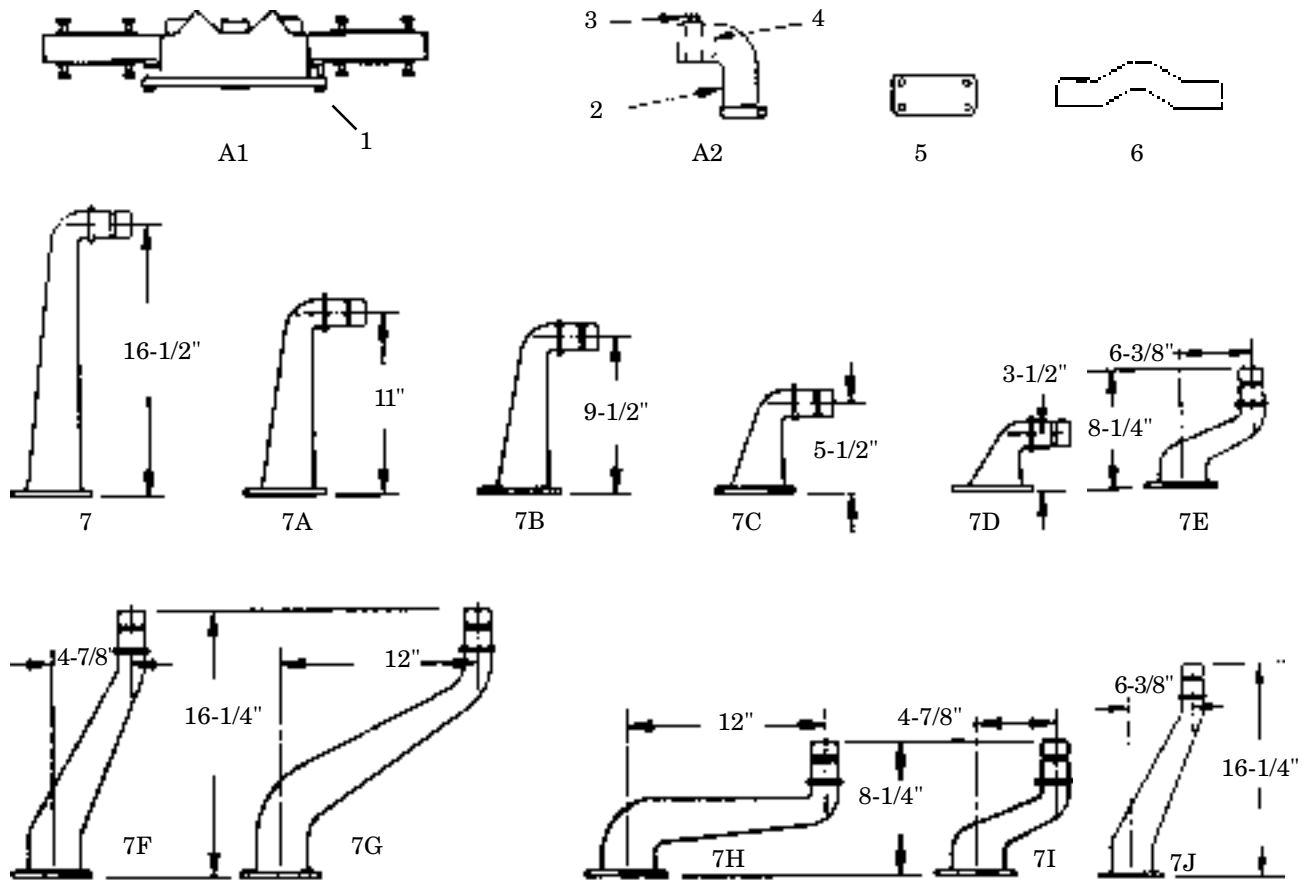
**Crossarm Assemblies for use with Flashing Light Signals,  
Cantilevers and Model 10 Gate Signals**



Mounting Specification	
Mtg.	Use
4"	2W W.O. Cantilever Arm

- 12" Light Assy. 975-311
- 8-3/8" Light Assy. 970-311
- Arm Only 960-51

### Crossarm Replacement Parts



Ref. No.	Description	Part No.
A1	Sub-assembly of junction box cross arm (Includes items 1, 5, 8,10)	950-A-62
A2	Sub-assembly of supporting bracket (Includes items 2, 3 & 4)	960-163
1	Cover, complete with gasket	950-A-21
2	Supporting bracket, threaded, one end	960-A-131
2-A	Supporting bracket, threaded at both ends (not shown)	950-A-132-A
3	"U" bolt	950-31
4	Gasket, sponge rubber	950-28
5	Cover plate	950-A-39
6	Adaptor clamp	950-A-34
7	Bracket 16-1/2"	950-A-46
7A	Bracket 11"	950-A-37
7B	Bracket 9-1/2"	950-A-47
7C	Bracket 5-1/2"	950-A-36
7D	Bracket 3-1/2"	950-A-57
7E	Bracket 8-1/4" x 6-3/8"	950-A-23
7F	Bracket 16-1/4" x 4-7/8"	950-A-67
7G	Bracket 16-1/4" x 12"	950-A-77
7H	Bracket 8-1/4" x 12"	950-A-76
7I	Bracket 8-1/4" x 4-7/8"	950-A-66
7J	Bracket 16-1/4" x 6-3/8"	950-A-24
8	Junction box cross arm (casting only not shown)	950-A-22
9	Gasket, cork (not shown)	950-27
10	Terminal block, complete (not shown)	2507-6-1

**WESTERN-CULLEN-HAYES, INC.**

2700 W. 36TH PLACE CHICAGO, IL. 60632  
 (773) 254-9600 FAX (773) 254-1110